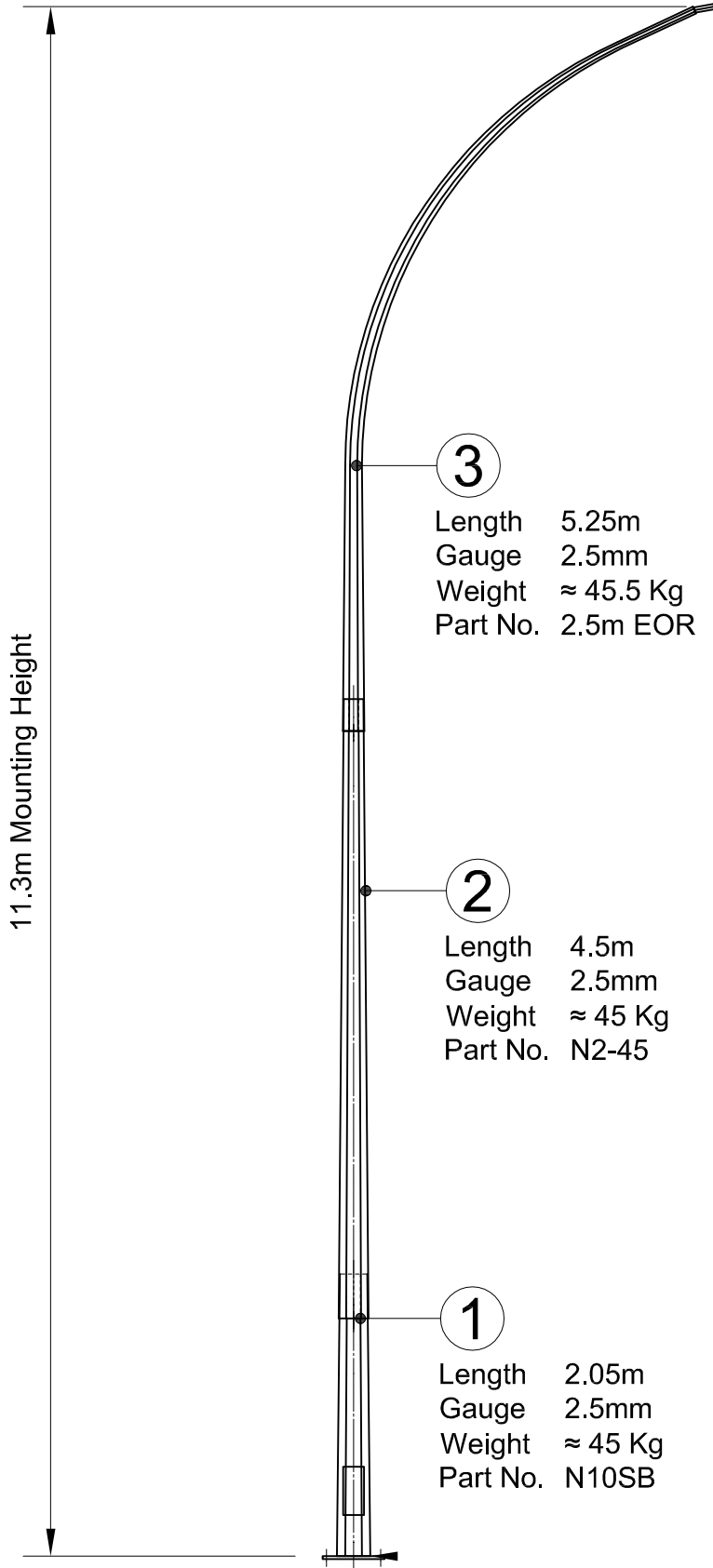


This drawing and the information contained herein, is the sole property of Steelgal NZ Limited and may not be used without consent from Steelgal NZ limited.



## OT-SLE-113-S-1

### Standards

Pole Design	AS 4676 / AS 1170.2 Sect'n4 / NZS 4203
Material	EN 12767 Class 0 / BS 4360 / BS EN 10025
Welding (Electric Arc Welding)	AS 1554
Galvanising	AS / NZS 4680

### Testing Procedures

Dimensional Verification  
Galvanising Thickness  
Material Thickness

### Quality Control Procedures

The Supplier/Manufacturer and Galvanizer of the column shall be ISO 9001 : 2000 accredited

### Finishing Types

Oven Baked Powder Coated  
High Performance Polyester UV Resistance. (formulated for galvanized surface)  
Hot Dip Galvanized  
2 Part Epoxy Coat (10 Years)

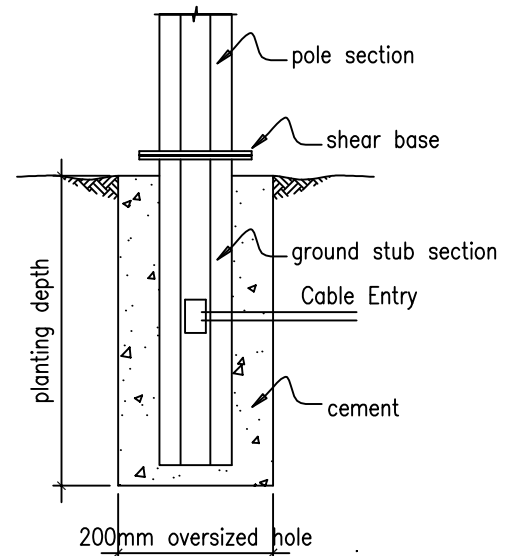
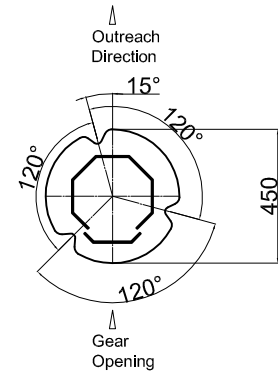
### Foundation Design

Foundation Design by others  
PS1 Designs by Request

**3**  
Length 5.25m  
Gauge 2.5mm  
Weight ≈ 45.5 Kg  
Part No. 2.5m EOR

**2**  
Length 4.5m  
Gauge 2.5mm  
Weight ≈ 45 Kg  
Part No. N2-45

**1**  
Length 2.05m  
Gauge 2.5mm  
Weight ≈ 45 Kg  
Part No. N10SB



Drawn: DDC	Title:
Date: 01/06/2018	11.3m Octagonal Shear Base Column with EOR
Scale: NTS	
Checked:	Drawing Number: OT-SLE-113-S-1
Approved:	Customer:
Date:	
By: CHD	
Date:	

Drawn: DDC	Title:
Date: 01/06/2018	11.3m Octagonal Shear Base Column with EOR
Scale: NTS	
Checked:	Drawing Number: OT-SLE-113-S-1
Approved:	Customer:
Date:	
By: CHD	
Date:	



**STEELGAL**  
NZ LIMITED

Steelgal NZ Limited  
8 Trugood Drive  
East Tamaki  
Auckland  
Ph: 09 2724665  
Email:  
Sales@steelgal.co.nz  
www.steelgal.co.nz