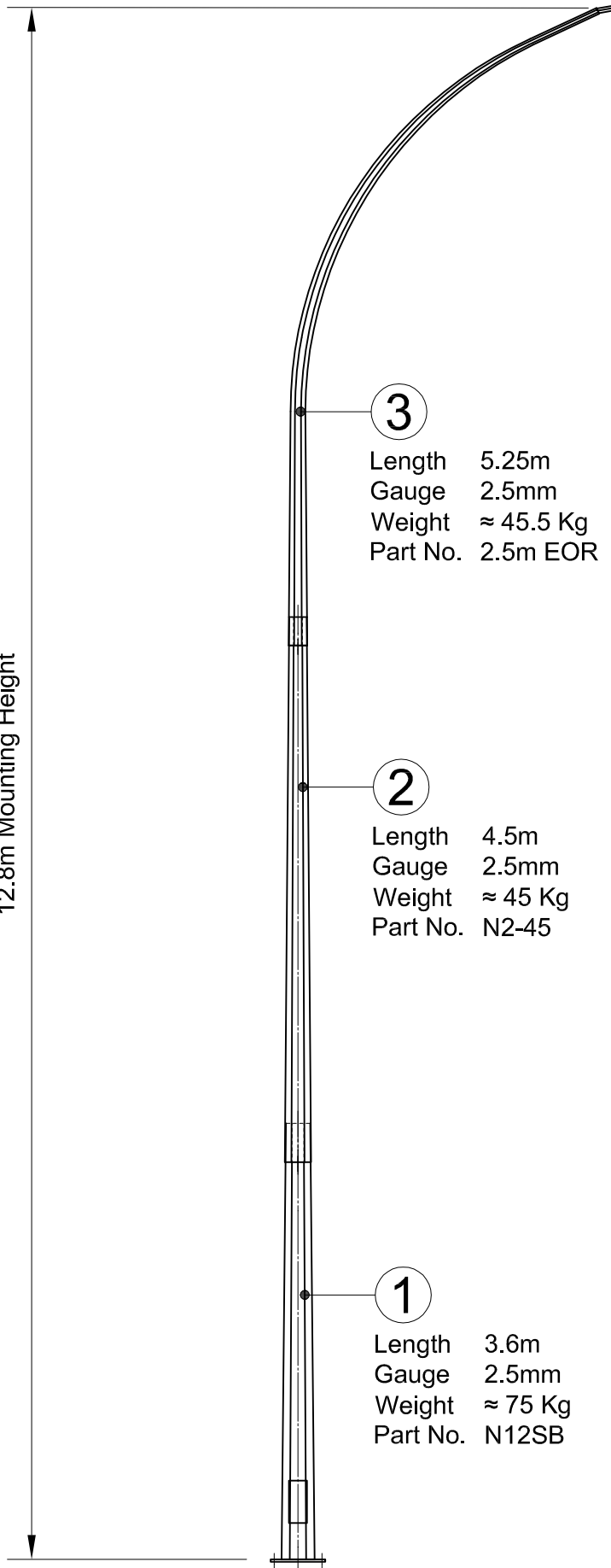


This drawing and the information contained herein, is the sole property of Steelgal NZ Limited and may not be used without consent from Steelgal NZ limited.

12.8m Mounting Height



**3**  
 Length 5.25m  
 Gauge 2.5mm  
 Weight ≈ 45.5 Kg  
 Part No. 2.5m EOR

**2**  
 Length 4.5m  
 Gauge 2.5mm  
 Weight ≈ 45 Kg  
 Part No. N2-45

**1**  
 Length 3.6m  
 Gauge 2.5mm  
 Weight ≈ 75 Kg  
 Part No. N12SB

**Standards**

Pole Design AS 4676 / AS 1170.2 Sect'n4 / NZS 4203  
 Material EN 12767 Class 0 / BS 4360 / BS EN 10025  
 Welding (Electric Arc Welding) AS 1554  
 Galvanising AS / NZS 4680

**Testing Procedures**

Dimensional Verification  
 Galvanising Thickness  
 Material Thickness

**Quality Control Procedures**

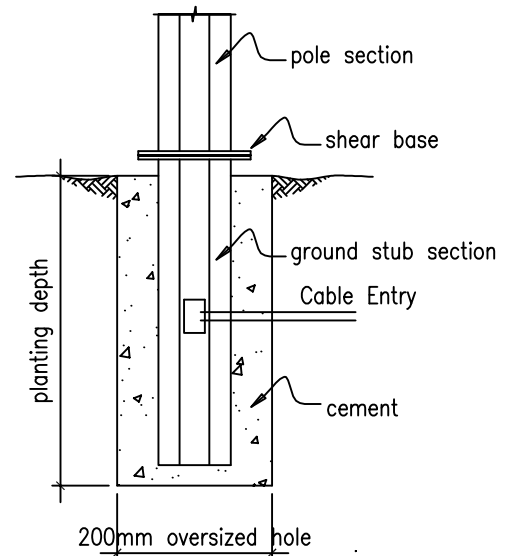
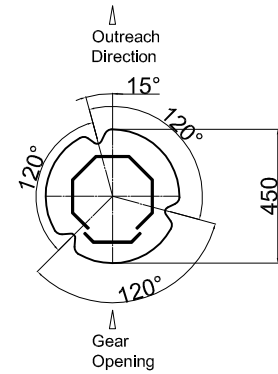
The Supplier/Manufacturer and Galvanizer of the column shall be ISO 9001 : 2000 accredited

**Finishing Types**


Oven Baked Powder Coated  
 High Performance Polyester UV Resistance. (formulated for galvanized surface)  
 Hot Dip Galvanized  
 2 Part Epoxy Coat (10 Years)

**Foundation Design**

Foundation Design by others  
 PS1 Designs by Request



**OT-SLE-128-S-1**

				Drawn: DDC	Title: 12.8m Octagonal Shear Base Column with EOR	 Steelgal NZ Limited 8 Trugood Drive East Tamaki Auckland Ph: 09 2724665 Email: Sales@steelgal.co.nz www.steelgal.co.nz
				Date: 01/06/2018		
				Scale: NTS		
				Checked:		
				Approved:	Drawing Number: OT-SLE-128-S-1	
Details	By	CHD	Date:	Date:	Customer:	