

Standards

Pole Design AS 4676 / AS 1170.2 Sect'n4 / NZS 4203
 Material EN 12767 Class 0 / BS 4360 / BS EN 10025
 Welding (Electric Arc Welding) AS 1554
 Galvanising AS / NZS 4680

Testing Procedures

Dimensional Verification
 Galvanising Thickness
 Material Thickness

Quality Control Procedures

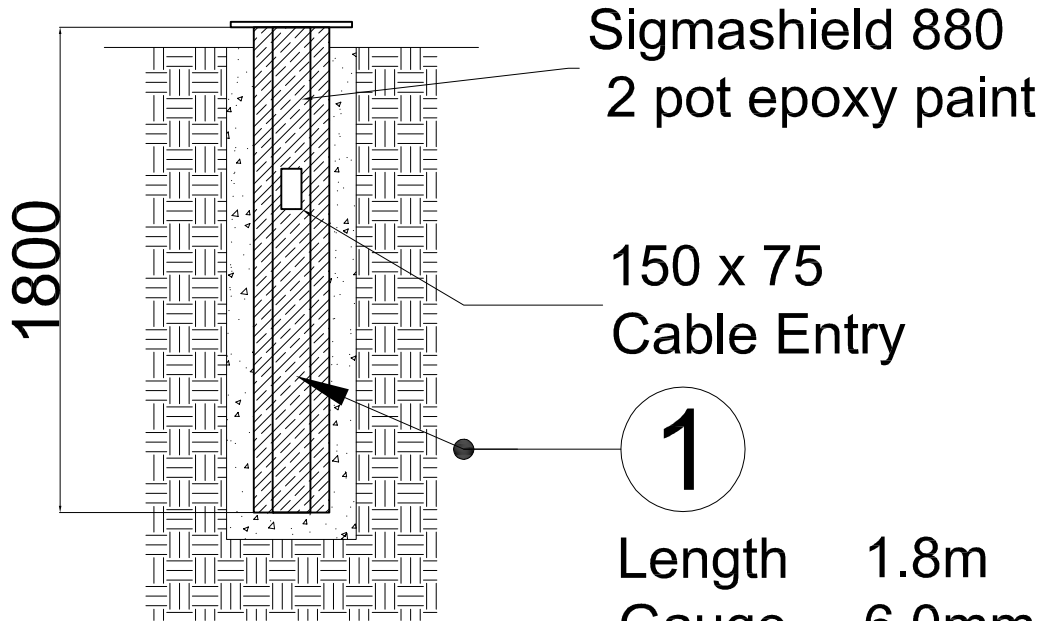
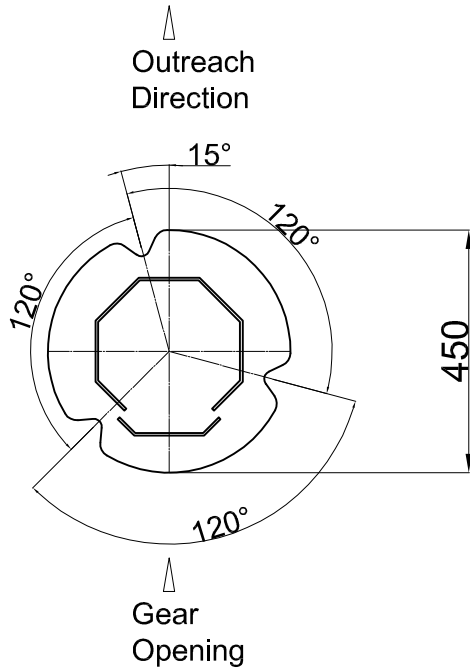
The Supplier/Manufacturer and Galvanizer of the column shall be ISO 9001 : 2000 accredited

Finishing Types

Oven Baked Powder Coated
 High Performance Polyester UV Resistance. (formulated for galvanized surface)
 Hot Dip Galvanized
 2 Part Epoxy Coat (10 Years)

Foundation Design

Foundation Design by others
 PS1 Designs by Request



Length 1.8m
Gauge 6.0mm
Weight ≈ 97 Kg
Part No. SS-18-6-S

This drawing and the information contained herein, is the sole property of Steelgal NZ Limited and may not be used without consent from Steelgal NZ limited.

				Drawn: DDC	Title:
				Date: Date	
				Scale: NTS	
				Checked:	
				Approved:	Drawing Number:
Details	By	CHD	Date:	Date:	Customer:



STEELGAL
 NZ LIMITED

Steelgal NZ Limited
 8 Trugood Drive
 East Tamaki
 Auckland
 Ph: 09 2724665
 Email:
 Sales@steelgal.co.nz
 www.steelgal.co.nz