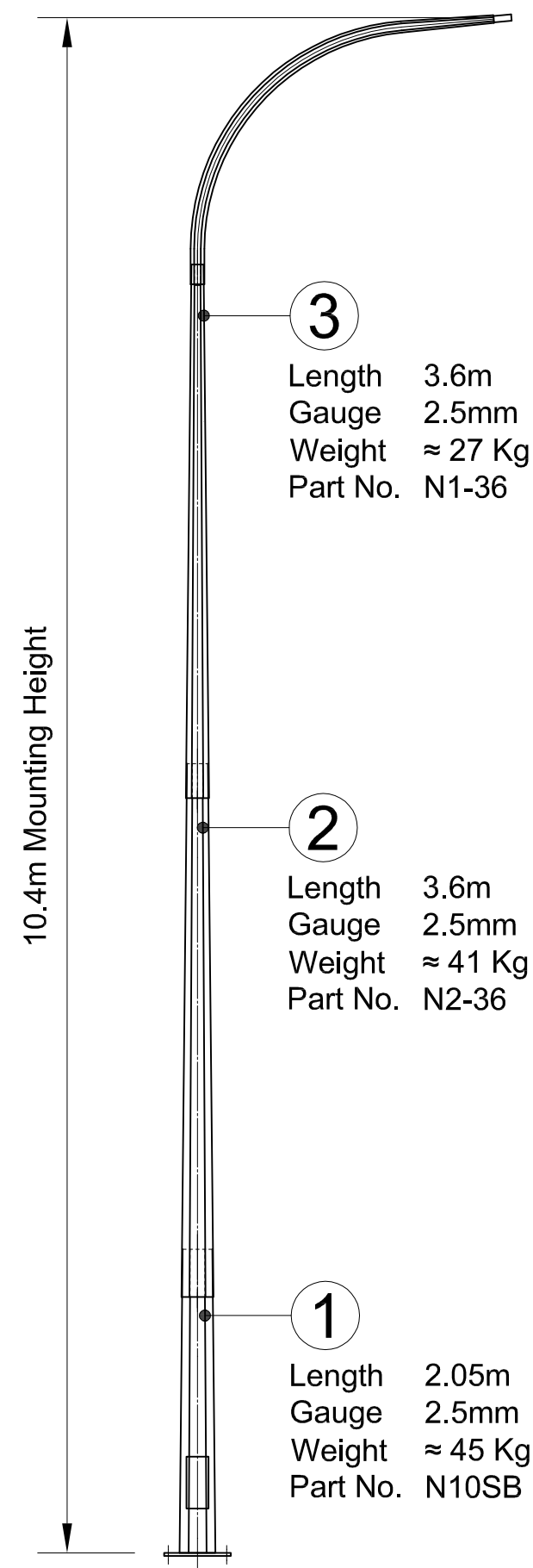


This drawing and the information contained herein, is the sole property of Steelgal NZ Limited and may not be used without consent from Steelgal NZ limited.



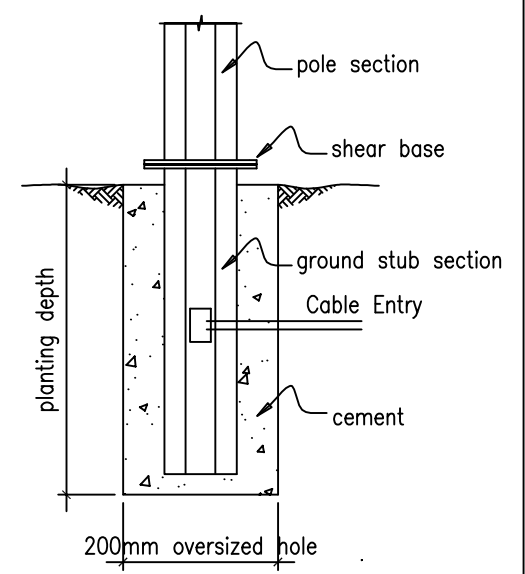
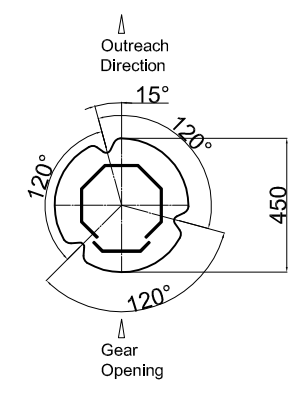
OT-SLS-104-S-1

| | |
|-----------------------------------|--|
| Standards | |
| Pole Design | AS 4676 / AS 1170.2 Sect'n4 / NZS 4203 |
| Material | EN 12767 Class 0 / BS 4360 / BS EN 10025 |
| Welding (Electric Arc Welding) | AS 1554 |
| Galvanising | AS / NZS 4680 |
| Testing Procedures | |
| | Dimensional Verification |
| | Galvanising Thickness |
| | Material Thickness |
| Quality Control Procedures | |
| | The Supplier/Manufacturer and Galvanizer of the column shall be ISO 9001 : 2000 accredited |
| Finishing Types | |
| | Oven Baked Powder Coated |
| | High Performance Polyester UV Resistance. (formulated for galvanized surface) |
| | Hot Dip Galvanized |
| | 2 Part Epoxy Coat (10 Years) |
| Foundation Design | |
| | Foundation Design by others |
| | PS1 Designs by Request |

3
 Length 3.6m
 Gauge 2.5mm
 Weight ≈ 27 Kg
 Part No. N1-36

2
 Length 3.6m
 Gauge 2.5mm
 Weight ≈ 41 Kg
 Part No. N2-36

1
 Length 2.05m
 Gauge 2.5mm
 Weight ≈ 45 Kg
 Part No. N10SB



| | |
|------------------|-----------------------------------|
| Drawn: DDC | Title: |
| Date: 01/06/2018 | 10.4m Octagonal Shear Base Column |
| Scale: NTS | |
| Checked: | |
| Approved: | Drawing Number: OT-SLS-104-S-1 |
| Date: | Customer: |

| | |
|---------|-------|
| By: CHD | Date: |
| Details | |



STEELGAL
 NZ LIMITED

Steelgal NZ Limited
 8 Trugood Drive
 East Tamaki
 Auckland
 Ph: 09 2724665
 Email:
 Sales@steelgal.co.nz
 www.steelgal.co.nz