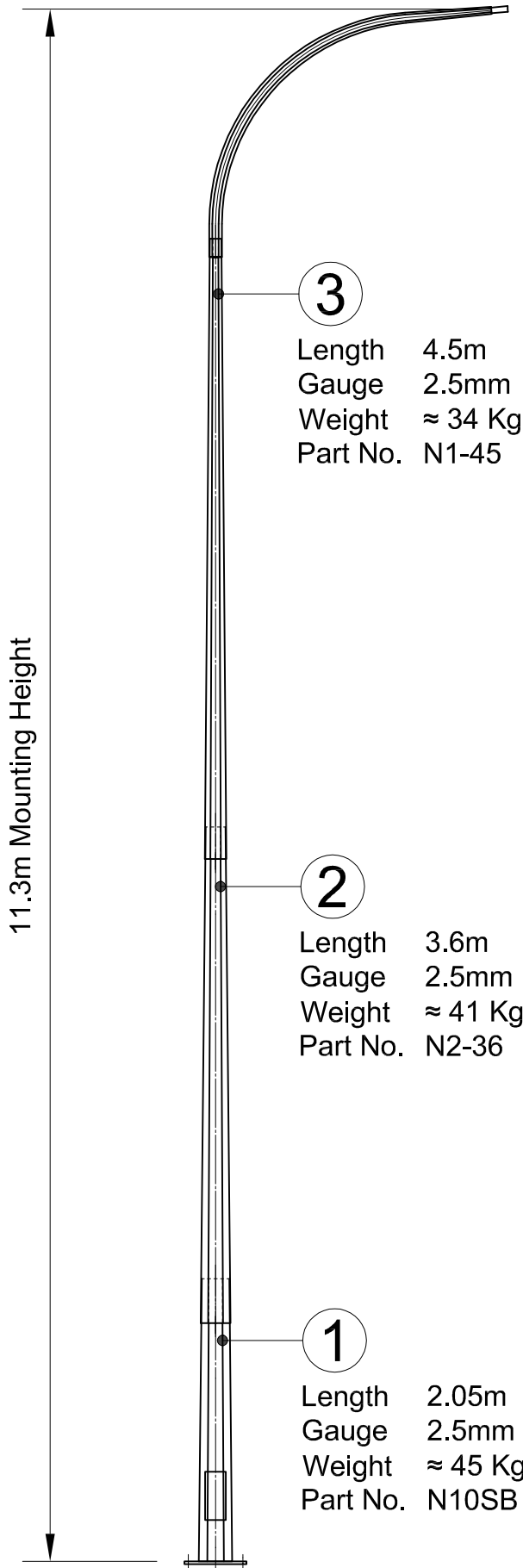


This drawing and the information contained herein, is the sole property of Steelgal NZ Limited and may not be used without consent from Steelgal NZ limited.



11.3m Mounting Height

3
 Length 4.5m
 Gauge 2.5mm
 Weight ≈ 34 Kg
 Part No. N1-45

2
 Length 3.6m
 Gauge 2.5mm
 Weight ≈ 41 Kg
 Part No. N2-36

1
 Length 2.05m
 Gauge 2.5mm
 Weight ≈ 45 Kg
 Part No. N10SB

OT-SLS-113-S-1

Standards

Pole Design	AS 4676 / AS 1170.2 Sect'n4 / NZS 4203
Material	EN 12767 Class 0 / BS 4360 / BS EN 10025
Welding (Electric Arc Welding)	AS 1554
Galvanising	AS / NZS 4680

Testing Procedures

Dimensional Verification
 Galvanising Thickness
 Material Thickness

Quality Control Procedures

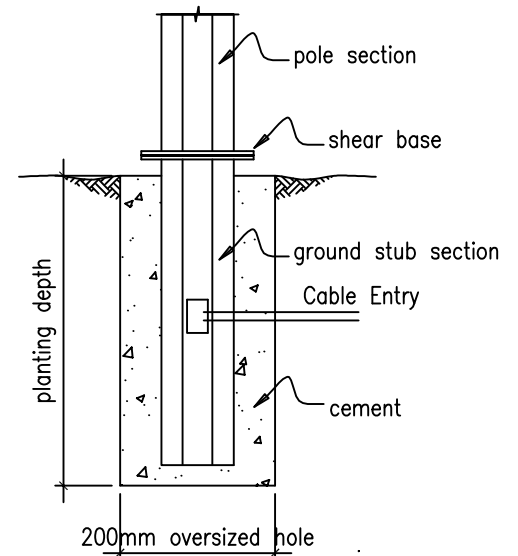
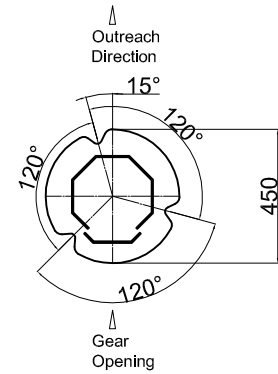
The Supplier/Manufacturer and Galvanizer of the column shall be ISO 9001 : 2000 accredited

Finishing Types

Oven Baked Powder Coated
 High Performance Polyester UV Resistance. (formulated for galvanized surface)
 Hot Dip Galvanized
 2 Part Epoxy Coat (10 Years)

Foundation Design

Foundation Design by others
 PS1 Designs by Request



Drawn: DDC	Title:
Date: 01/06/2018	11.3m Octagonal Shear Base Column
Scale: NTS	
Checked:	
Approved:	Drawing Number: OT-SLS-113-S-1
Date:	Customer:

By: CHD	Date:
Details	



STEELGAL
 NZ LIMITED

Steelgal NZ Limited
 8 Trugood Drive
 East Tamaki
 Auckland
 Ph: 09 2724665
 Email:
 Sales@steelgal.co.nz
 www.steelgal.co.nz