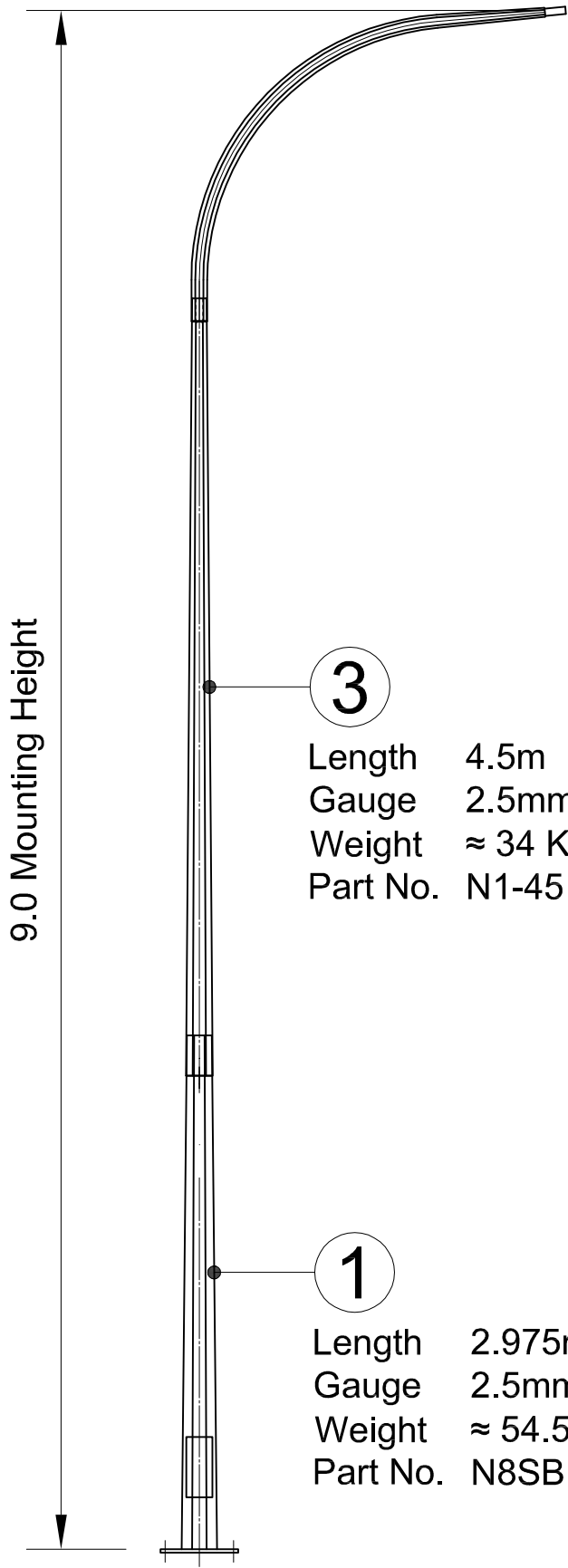


This drawing and the information contained herein, is the sole property of Steelgal NZ Limited and may not be used without consent from Steelgal NZ limited.



9.0 Mounting Height

3

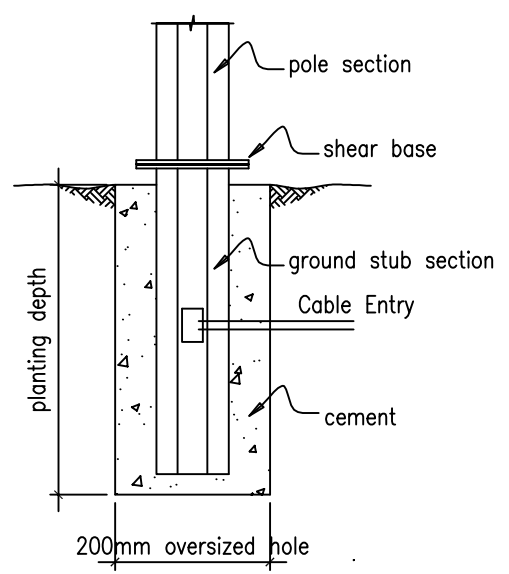
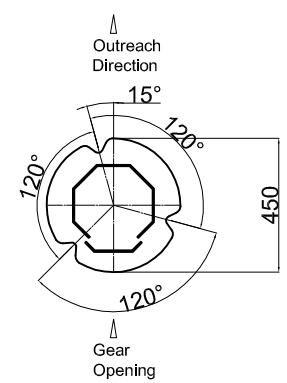
Length 4.5m
 Gauge 2.5mm
 Weight ≈ 34 Kg
 Part No. N1-45


1

Length 2.975m
 Gauge 2.5mm
 Weight ≈ 54.5 Kg
 Part No. N8SB

OT-SLS-090-S-1

Standards	
Pole Design	AS 4676 / AS 1170.2 Sect'n4 / NZS 4203
Material	EN 12767 Class 0 / BS 4360 / BS EN 10025
Welding (Electric Arc Welding)	AS 1554
Galvanising	AS / NZS 4680
Testing Procedures	
	Dimensional Verification
	Galvanising Thickness
	Material Thickness
Quality Control Procedures	
	The Supplier/Manufacturer and Galvanizer of the column shall be ISO 9001 : 2000 accredited
Finishing Types	
	Oven Baked Powder Coated
	High Performance Polyester UV Resistance. (formulated for galvanized surface)
	Hot Dip Galvanized
	2 Part Epoxy Coat (10 Years)
Foundation Design	
	Foundation Design by others
	PS1 Designs by Request



				Drawn: DDC	Title: 9m Octagonal Shear Base Column	 Steelgal NZ Limited 8 Trugood Drive East Tamaki Auckland Ph: 09 2724665 Email: Sales@steelgal.co.nz www.steelgal.co.nz
				Date: 01/06/2018		
				Scale: NTS		
				Checked:		
				Approved:	Drawing Number: OT-SLS-090-S-1	
Details	By	CHD	Date:	Date:	Customer:	