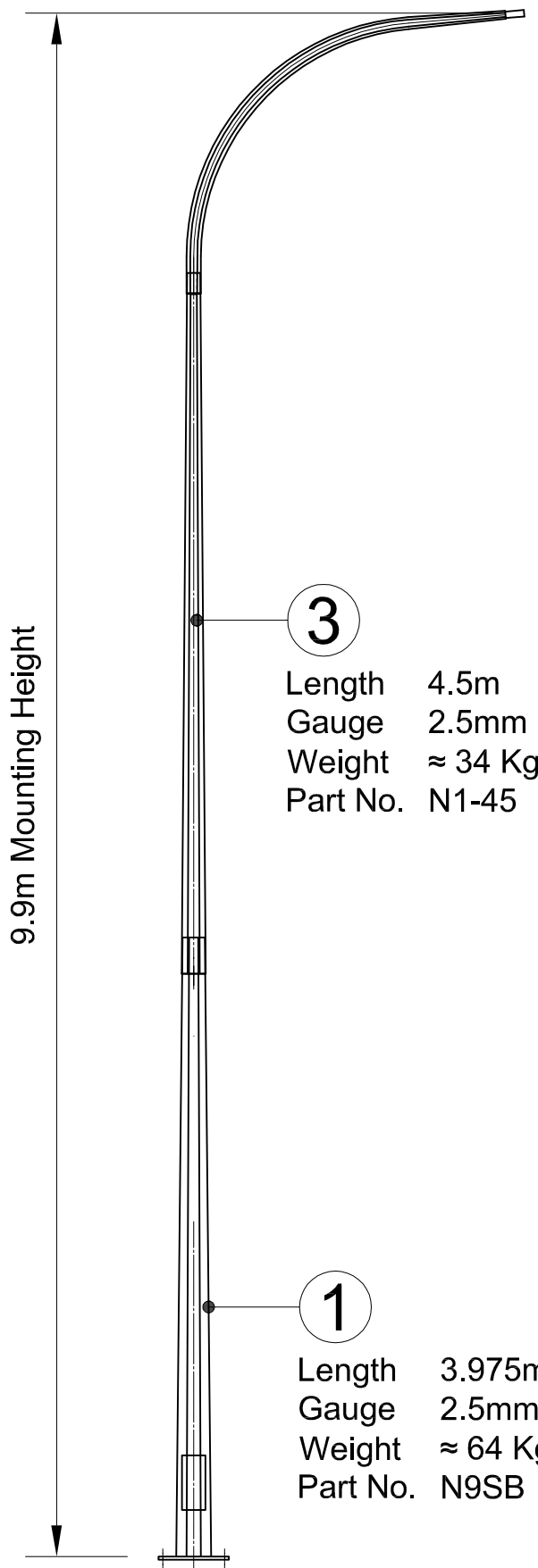


This drawing and the information contained herein, is the sole property of Steelgal NZ Limited and may not be used without consent from Steelgal NZ limited.



9.9m Mounting Height

3
 Length 4.5m
 Gauge 2.5mm
 Weight ≈ 34 Kg
 Part No. N1-45

1
 Length 3.975m
 Gauge 2.5mm
 Weight ≈ 64 Kg
 Part No. N9SB

OT-SLS-099-S-1

Standards

Pole Design AS 4676 / AS 1170.2 Sect'n4 / NZS 4203
 Material EN 12767 Class 0 / BS 4360 / BS EN 10025
 Welding (Electric Arc Welding) AS 1554
 Galvanising AS / NZS 4680

Testing Procedures

Dimensional Verification
 Galvanising Thickness
 Material Thickness

Quality Control Procedures

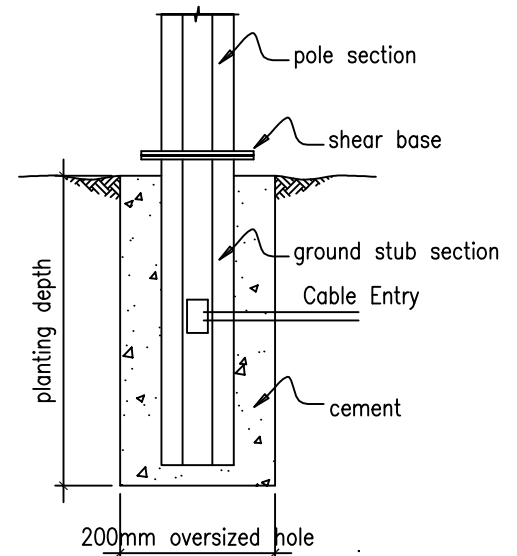
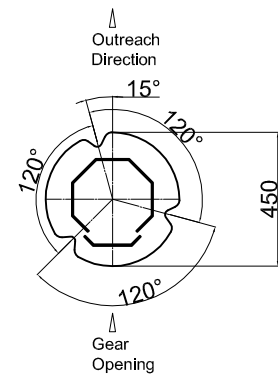
The Supplier/Manufacturer and Galvanizer of the column shall be ISO 9001 : 2000 accredited

Finishing Types

Oven Baked Powder Coated
 High Performance Polyester UV Resistance. (formulated for galvanized surface)
 Hot Dip Galvanized
 2 Part Epoxy Coat (10 Years)

Foundation Design

Foundation Design by others
 PS1 Designs by Request



				Drawn: DDC	Title:
				Date: 01/06/2018	9.9m Octagonal Shear Base Column
				Scale: NTS	
				Checked:	
				Approved:	
Details	By	CHD	Date:	Date:	Drawing Number: OT-SLS-099-S-1
					Customer:



STEELGAL
 NZ LIMITED

Steelgal NZ Limited
 8 Trugood Drive
 East Tamaki
 Auckland
 Ph: 09 2724665
 Email:
 Sales@steelgal.co.nz
 www.steelgal.co.nz