

Technical Specification

Design Conditions

1. Design Conditions
 - 1.1 Basic wind speed : 45 m/s
 - 1.2 Max Luminaire sail area : 0.15 m²
 - 1.3 Max Luminaire weight : 15 kg
 - 1.4 Terrain Category : TC 2
 - 1.5 Total number of sections : 4

Standards

Pole design AS 4676 / AS 1170.2 Sect'n4 / NZS 4203
 Material EN 12767 Class 0 / BS 4360 / BS EN 10025
 Welding (Electric Arc Welding) AS 1554
 Galvanising AS / NZ 4680

Testing Procedures

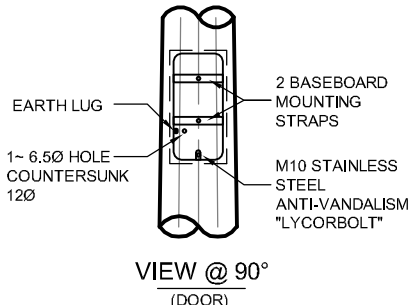
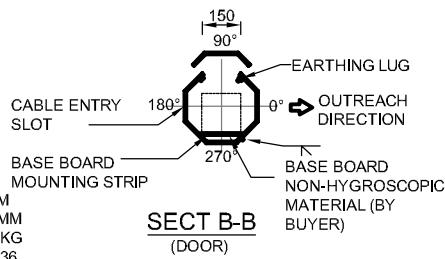
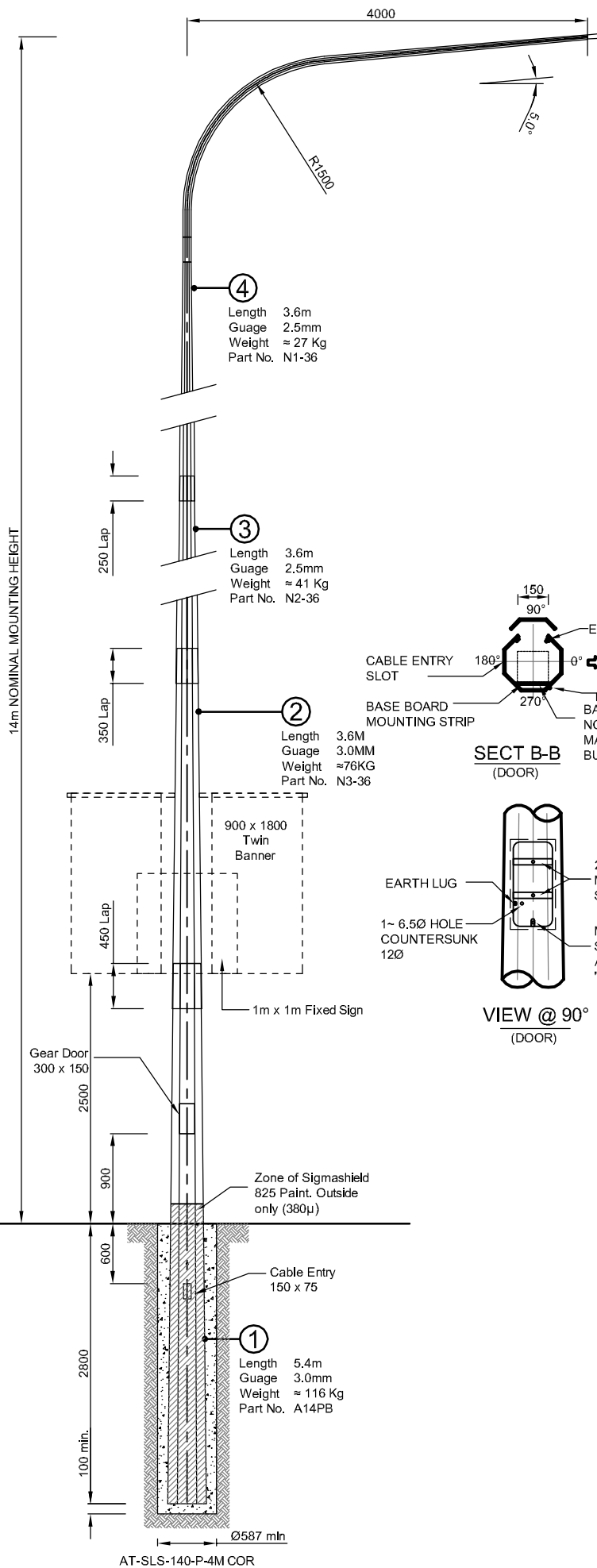
Dimensional Verification
 Galvanising Thickness
 Material Thickness

Quality Control Procedures

The Supplier/Manufacturer and Galvanizer of the column shall be ISO 9001:2000 accredited

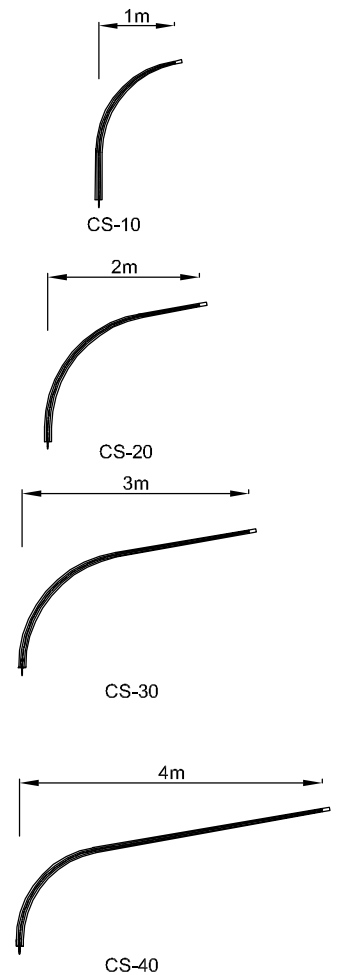
Finishing Types

Oven Baked Powder Coated
 High Performance Polyester UV Resistance.
 (formulated for galvanized surface)
 Hot Dip Galvanized
 2 Part Epoxy Coat (10 Years)



SLS Outreach Options

Curved Outreaches



This drawing and the information contained herein, is the sole property of Steelgal NZ Limited and may not be used without consent from Steelgal NZ Limited.

				Drawn: RY	TRG:
				Date: 27.09.2013	
C	Weights added	R Fletts	25.07.2014	Scale: NTS	
B	Revised	R Fletts		Checked:	
A	First Issue	RY	27.09.2013	Approved:	Drawing Number: AT-SLS-140-P-4M COR
Rev	Details	By	Chd	Date:	Customer:

14.0m Octagonal Streetlight Column
 with Planted Base - 4M Curved Outreach



Steelgal NZ Ltd
 8 Trugood Drive
 East Tamaki Auckland
 P: (+649) 2724665
 F: (+649) 2724669
 E: sales@steelgal.co.nz
 W: www.steelgal.co.nz