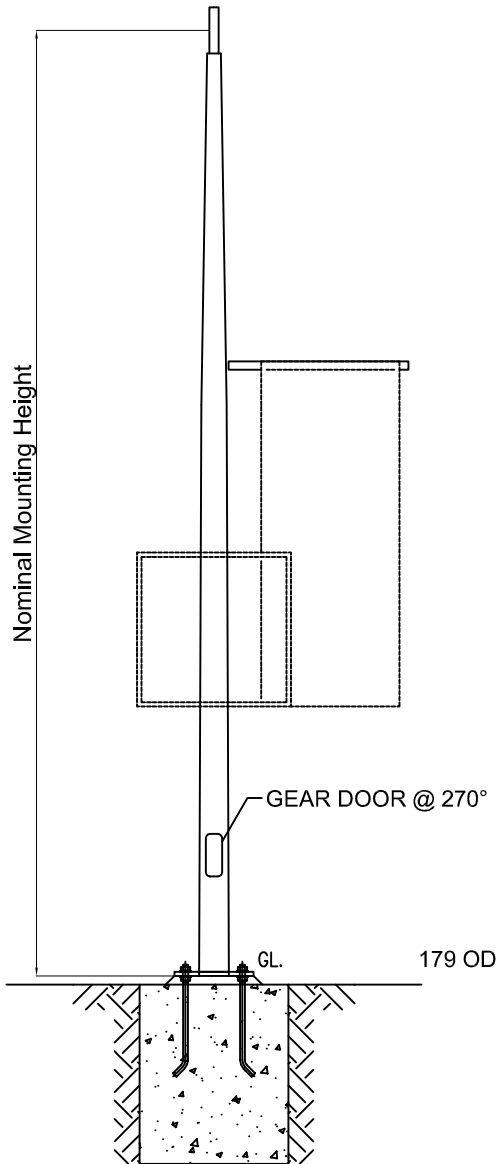


Round Taper Columns Mayfair Type Outreach Designed to ATCoP



Standards

Pole Design AS 4676 / AS 1170.2 Sect'n4 / NZS 4203
 Material EN 12767 Class 0 / BS 4360 / BS EN 10025
 Welding AS 1554
 Galvanising AS / NZS 4680

Testing Procedures Dimensional Verification
 Galvanising Thickness
 Material Thickness

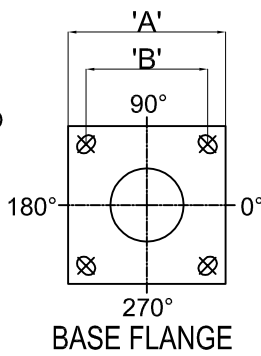
Quality Control Procedures The Supplier/Manufacturere and Galvaniser of the Column shall be ISO9001:2000 Accredited

Finishing Types Hot Dip Galvanised
 2 Pot Epoxy (Sigmashield 880)
 Marine Grade Protection
 10 Year Warranty

Pole Mounting Types Ground Plant
 Flange Base
 Ground Stub available upon request


Pole Heights 4m, 5m, 6m, 8m

Outreach Options
 Outreaches are available in Curved type, single and double only.
 Maximum Outreach length to be advised for specific height poles at time of enquiry



BASE FLANGE				
POLE HEIGHT	SQ 'A'	C/C 'B'	HOLE SIZE	THK
4M	300	220	22Ø x 40	16mm
5M	300	220	22Ø x 40	16mm
6M	300	220	22Ø x 40	16mm
8M	300	260	22Ø x 40	16mm

This drawing and the information contained herein, is the sole property of Steelgal NZ Limited and may not be used without consent from Steelgal NZ Limited.

				Drawn: DDC	Title: Round Taper Column FB - Mayfair Outreach - Designed to (ATCoP)	 Steelgal NZ Limited 8 Trugood Drive East Tamaki Auckland Ph: 09 2724665 Email: Sales@steelgal.co.nz www.steelgal.co.nz
				Date: 30/05/2017		
				Scale: NTS		
				Checked:		
				Approved:	Drawing Number:	
Details	By	CHD	Date:	Date:	Customer:	