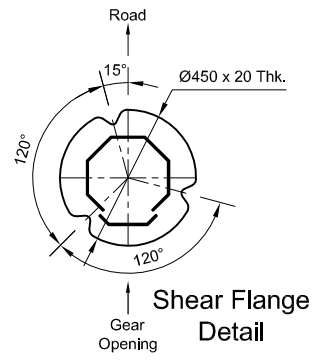


OT-SLS-113-S-1



**Technical Specification**

**Design Conditions**

**Standards**

Pole Design: AS 4676 / AS 1170.2 Sect'n4 / NZS 4203  
 Material: EN 12767 Class 0 / BS 4360 / BS EN 10025  
 Welding (Electric Arc Welding): AS 1554  
 Galvanising: AS / NZS 4680

**Testing Procedures**

Dimensional Verification  
 Galvanising Thickness  
 Material Thickness

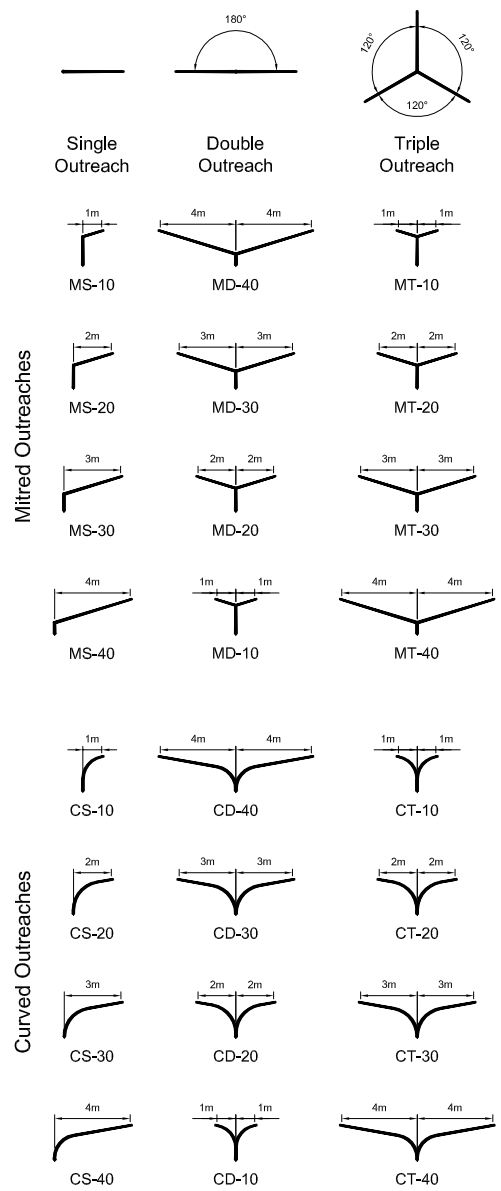
**Quality Control Procedures**

The Supplier/Manufacturer and Galvanizer of the column shall be ISO 9001 : 2000 accredited

**Finishing Types**

Oven Baked Powder Coated  
 High Performance Polyester UV Resistance.  
 (formulated for galvanized surface)  
 Hot Dip Galvanized  
 2 Part Epoxy Coat (10 Years)

**SLS Outreach Options**



Curved and Mitred Outreaches are available in 0.5m increments and additional sizes, upto 5m, on request.

This drawing and the information contained herein, is the sole property of Steelgal NZ Limited and may not be used without consent from Steelgal NZ Limited.

Drawn:	SMP	Title:	11.3m Octagonal Streetlight Pole with Shear Base for Curved & Mitred Outreaches
Date:	21.07.2010	Scale:	NTS
Checked:		Approved:	
Rev	Details	By	Chd
		Date	30.09.2013

Drawing Number:	OT-SLS-113-S-1
Customer:	



Steelgal NZ Limited  
 8 Trugood Drive  
 East Tamaki Auckland  
 P: 0800 736600  
 F: (+649) 2724865  
 E: sales@steelgal.co.nz  
 W: www.steelgal.co.nz