

12.2m Nominal Height

Outreach to be selected by Client from Steelgals SLS Outreach Options

133 Lap

③  
Length 4.5m  
Guage 2.5mm  
Weight ≈ 34 Kg  
Part No. N1-45

233 Lap

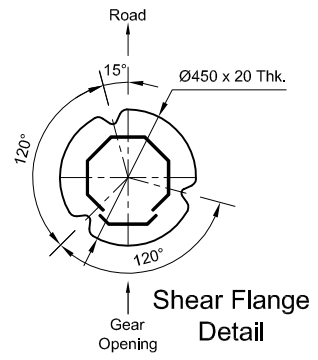
②  
Length 4.5m  
Guage 2.5mm  
Weight ≈ 45 Kg  
Part No. N2-45

323 Lap

①  
Length 2.05m  
Guage 2.5mm  
Weight ≈ 45 Kg  
Part No. N10SB

Gear Door  
350 x 150

OT-SLS-122-S-1



**Technical Specification**

**Design Conditions**

**Standards**

Pole Design AS 4676 / AS 1170.2 Sect'n4 / NZS 4203  
Material EN 12767 Class 0 / BS 4360 / BS EN 10025  
Welding (Electric Arc Welding) AS 1554  
Galvanising AS / NZS 4680

**Testing Procedures**

Dimensional Verification  
Galvanising Thickness  
Material Thickness

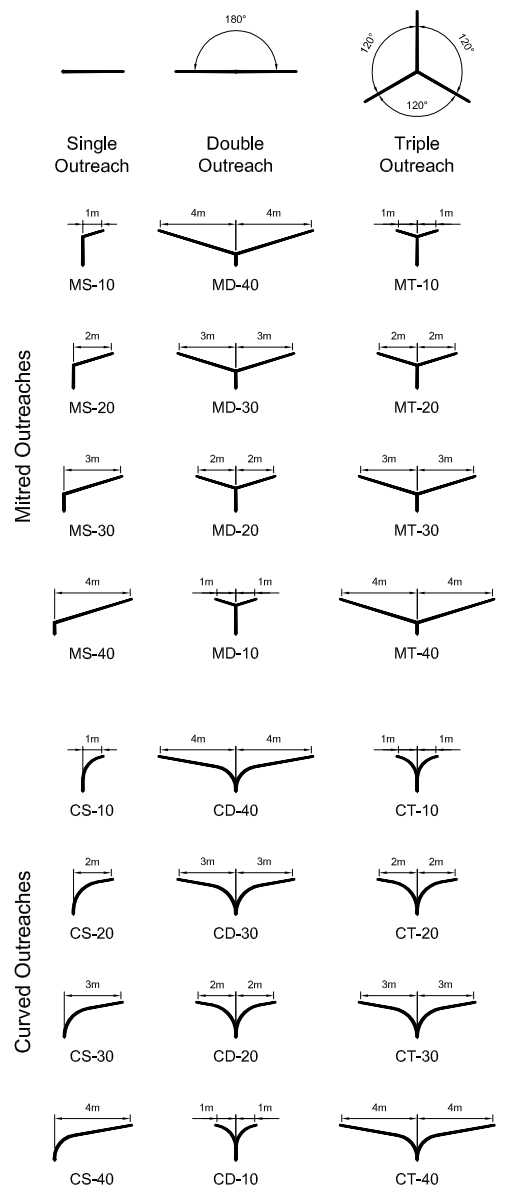
**Quality Control Procedures**

The Supplier/Manufacturer and Galvanizer of the column shall be ISO 9001 : 2000 accredited

**Finishing Types**

Oven Baked Powder Coated  
High Performance Polyester UV Resistance.  
(formulated for galvanized surface)  
Hot Dip Galvanized  
2 Part Epoxy Coat (10 Years)

**SLS Outreach Options**



Curved and Mitred Outreaches are available in 0.5m increments and additional sizes, upto 5m, on request.

This drawing and the information contained herein, is the sole property of Steelgal NZ Limited and may not be used without consent from Steelgal NZ Limited.

Drawn:	SMP	Title:	12.2m Octagonal Streetlight Pole with Shear Base for Curved & Mitred Outreaches
Date:	21.07.2010	Scale:	NTS
Checked:		Approved:	
Rev	Details	By	Chd
		Date	20.09.2013
		Date:	

Drawing Number:	OT-SLS-122-S-1
Customer:	



Steelgal NZ Limited  
8 Trugood Drive  
East Tamaki Auckland  
P: 0800 736600  
F: (+649) 2724665  
E: sales@steelgal.co.nz  
W: www.steelgal.co.nz