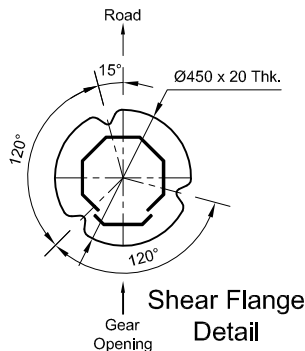


③
Length 4.5m
Guage 2.5mm
Weight ≈ 34 Kg
Part No. N1-45

②
Length 3.6m
Guage 2.5mm
Weight ≈ 41 Kg
Part No. N2-36

①
Length 3.6m
Guage 2.5mm
Weight ≈ 72 Kg
Part No. N12SB

OT-SLS-128-S-2



Technical Specification

Design Conditions

Standards

Pole Design AS 4676 / AS 1170.2 Sect'n4 / NZS 4203
Material EN 12767 Class 0 / BS 4360 / BS EN 10025
Welding (Electric Arc Welding) AS 1554
Galvanising AS / NZS 4680

Testing Procedures

Dimensional Verification
Galvanising Thickness
Material Thickness

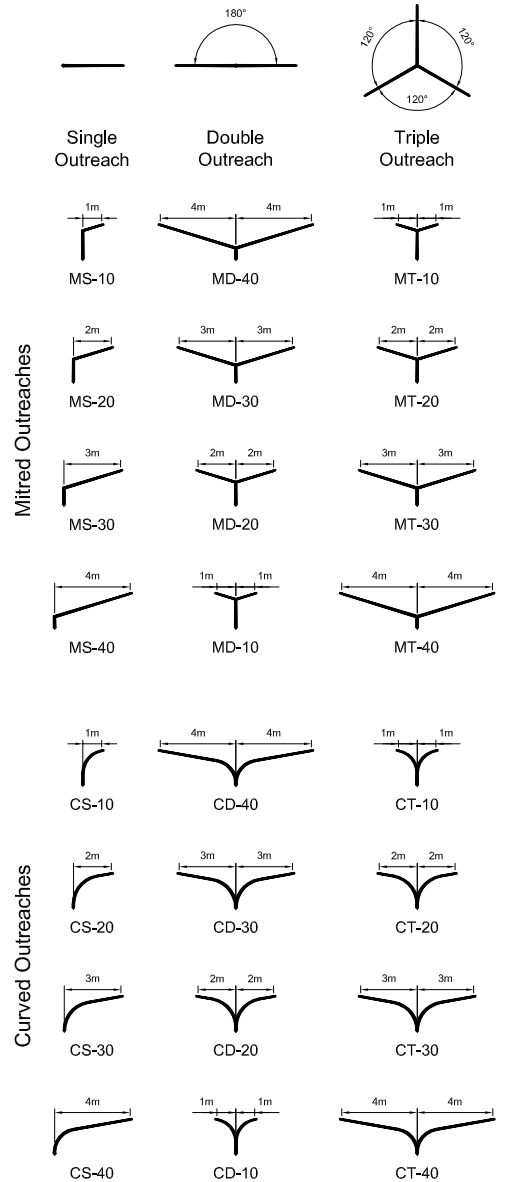
Quality Control Procedures

The Supplier/Manufacturer and Galvanizer of the column shall be ISO 9001 : 2000 accredited

Finishing Types

Oven Baked Powder Coated
High Performance Polyester UV Resistance.
(formulated for galvanized surface)
Hot Dip Galvanized
2 Part Epoxy Coat (10 Years)

SLS Outreach Options



Curved and Mitred Outreaches are available in 0.5m increments and additional sizes, upto 5m, on request.

This drawing and the information contained herein, is the sole property of Steelgal NZ Limited and may not be used without consent from Steelgal NZ Limited.

Drawn:	SMP	Title:	12.8m Octagonal Streetlight Pole with Shear Base for Curved & Mitred Outreaches
Date:	21.07.2010	Scale:	NTS
Checked:		Approved:	
Rev	Details	By	Chd
		Date:	20.09.2013

Drawing Number:	OT-SLS-128-S-2
Customer:	



Steelgal NZ Limited
8 Trugood Drive
East Tamaki Auckland
P: 0800 736600
F: (+649) 2724665
E: sales@steelgal.co.nz
W: www.steelgal.co.nz