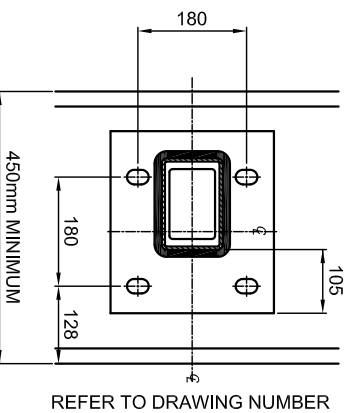
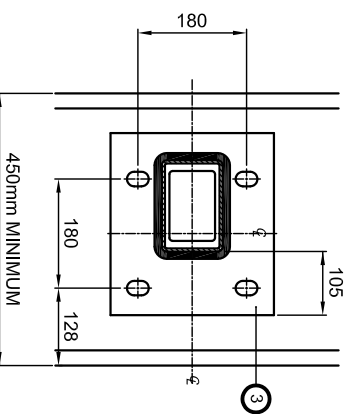
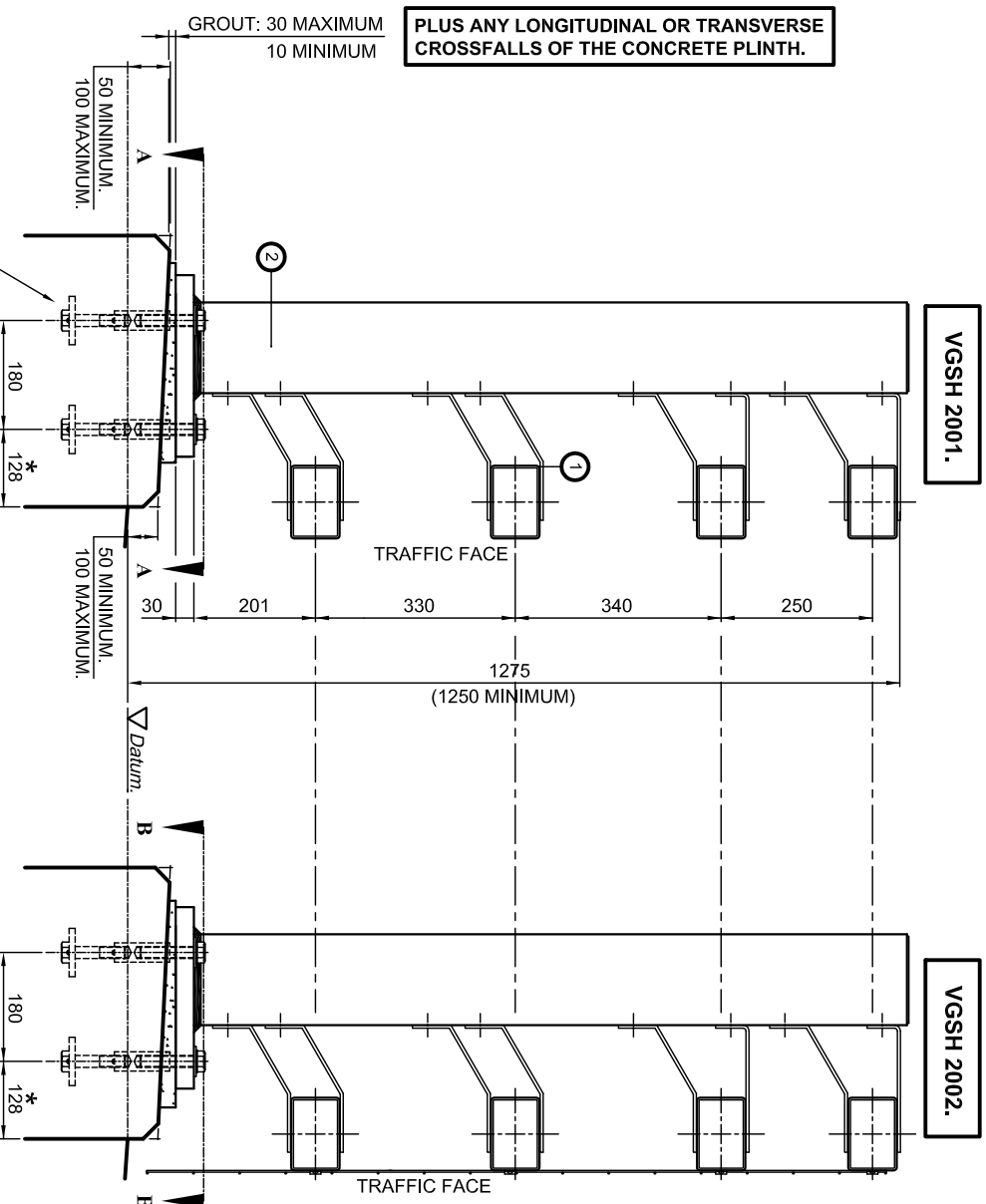


PLUS ANY LONGITUDINAL OR TRANSVERSE CROSSFALLS OF THE CONCRETE PLINTH.



REFER TO DRAWING NUMBER VGSH 2000/05 FOR ALTERNATIVE MESH RAIL ATTACHMENT DETAIL.

VGSH 2000 SERIES POST INFORMATION	
UNFACTORED MOMENT OF RESISTANCE OF POST (kNm) AT UNDERSIDE OF BASEPLATE.	42.245
ULTIMATE SHEAR FORCE RESISTANCE OF POST (kN)	307.44
SIZE OF HOLDING DOWN BOLTS	M20

APPROVED ANCHORAGE UNITS	
DRAWING NUMBER	
VGAS/1.	
VGAS/2.	
VGAS/3.	
OR OTHER APPROPRIATELY APPROVED CAST-IN OR DRILLED ANCHORAGE SYSTEM.	

LIST OF ADDITIONAL REFERENCE DRAWING FOR THE VGSH 2000 PARAPETS	
DRAWING NUMBER	TITLE
VGSH 2000 / 04.	RAIL CONNECTION DETAIL S. (120x80 RAIL S.)
VGSH 2000 / 05.	PARAPET POST DETAILS.
VGSH 2000 / 06.	MESHING DETAIL S OPTION 1.
VGSH 2000 / 07.	MESHING DETAIL S OPTION 2.
VGSH 2000 / 08.	SHEETING DETAILS.
VGSH 2000 / 09.	ANTIACCESS PANNELLING.
VGSH 2000 / 11.	TRANZFLLEX CONNECTOR DETAILS.

VGSH 2000 SERIES PARAPET PERFORMANCE.	
IMPACT TEST CRITERIA	BS. EN. 1317-1 and BS. EN. 1317-2.
CONTAINMENT LEVEL.	TB11 and TB91.
WORKING WIDTH.	H2.
IMPACT SEVERITY LEVEL.	W3. (1.0m).
DYNAMIC DEFLECTION.	B.
	0.6m.

MATERIAL SPECIFICATION.		
ITEM	SPECIFICATION	SPECIFICATION
MAIN RAIL S.	ALL STEEL SECTIONS ARE TO BE IN ACCORDANCE WITH BS. EN. 10025-1, BS. EN. 10025-2, BS. EN. 10210-1, BS. EN. 10210-2, BS. EN. 10219-1, BS. EN. 10219-2.	HOLDING DOWN SETSCREWS TO CONFORM TO BS. 3692 AND BE STAINLESS STEEL TO BS. EN. ISO 3506-1 GRADE A4-80. ALL OTHER BOLTS / SETSCREWS TO BE GALVANISED STEEL TO CONFORM TO BS. 3692 AND BS. EN. ISO 4014 GRADE 8.8. * ALL NUTS TO BE GALVANISED STEEL TO CONFORM TO BS. 3692 AND BS. EN. ISO. 4032 GRADE 8.
RAIL JOINTS.	POST SECTION TO BE S275J2H.	GALVANISED PLAIN WASHERS TO BE M20x50 o/dia. x 4mm THICK AND M16 FORM 'A' CONFORMING TO BS. 4320. GALVANISED SPRING WASHERS TO BE TYPE 'A' TO BS. 4464.
POST SECTION.	BASEPLATE.	
CLEAT TYPE 1.	WASHERS.	
CLEAT TYPE 2.		

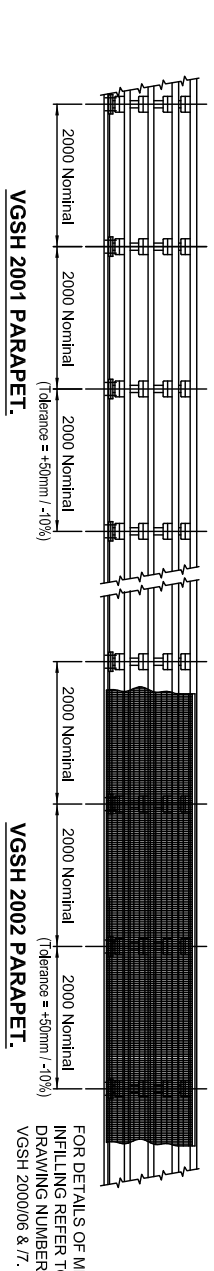
1/ ALL STEEL WELDING TO BE IN ACCORDANCE WITH BS. EN. 1011-1 AND BS. EN. 1011-2.

2/ WELDERS AND WELDING PROCEDURES ARE IN ACCORDANCE WITH BS. EN. 287-1 AND BS. EN. ISO. 15607 RESPECTIVELY.

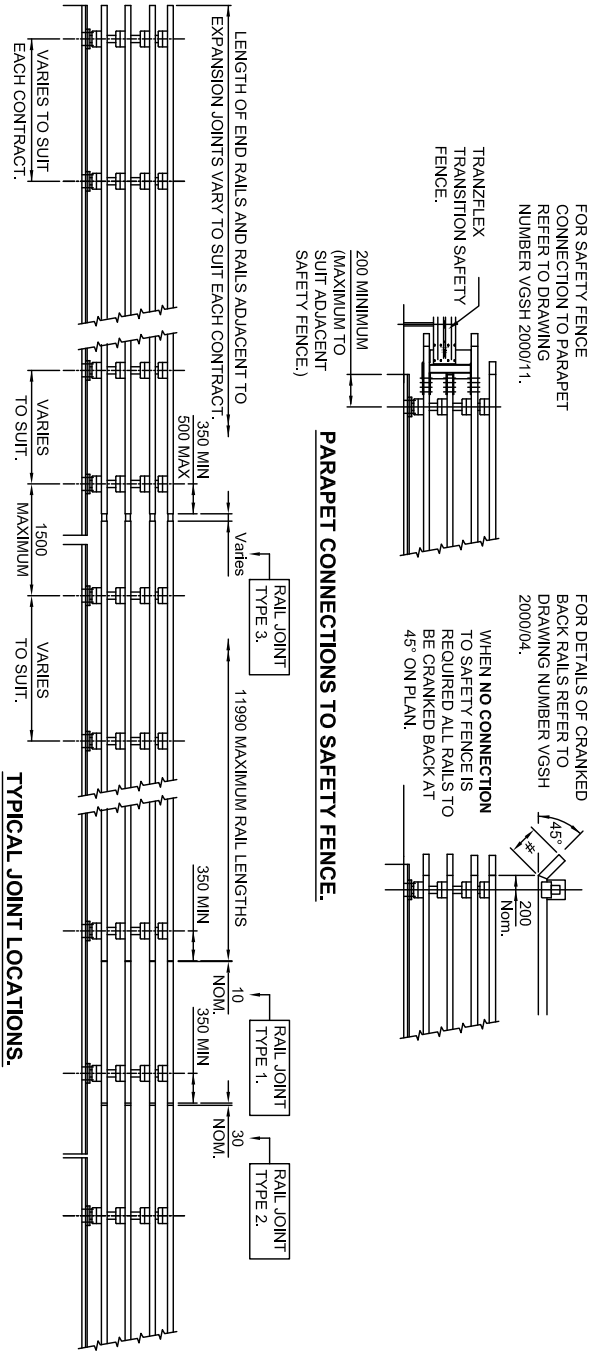
3/ MAIN RAILS CAN BE RADUSED TO SUIT ON SITE DOWN TO MINIMUM RADIUS OF 75 METRES. TIGHTER RADIUS CAN BE SUPPLIED PREFORMED BY SPECIAL ARRANGEMENT.

4/ DIMENSIONS RELATIVE TO HEIGHT DATUM ASSUME THERE IS NO LONGITUDINAL FALL ON THE PLINTH. ADDITIONAL TOLERANCES TO TAKE ACCOUNT OF THESE FALLS ARE PERMISSIBLE.

5/ AN EASILY LEGIBLE IDENTIFICATION PLATE SHALL BE APPLIED AND LOCATED NEAR TO THE TOP OF THE FIRST POST AT EACH APPROACH END IN AN EASILY VISIBLE POSITION.



VGSH 2000 SERIES PARAPET IS A MODULAR SYSTEM BASED ON 2,000mm POST CENTRES. REDUCTION IN POST CENTRES DOWN TO 1,450mm CENTRES CAN OCCUR ADJACENT TO NO-TENSION RAIL JOINTS TYPE 3 AND END OF PARAPET RAIL ADJACENT TO END POSTS. CLOSER POST CENTRES MAY BE USED FOR SINGLE BAYS WHERE THIS CANNOT BE AVOIDED AT MOVEMENT JOINTS AND END OF PARAPET RUNS.



Rev	Date	By	Description
C	Oct 11	dvc	Corrections
B	Mar 09	dvc	Minor Revisions
A	04/07	dvc	Minor Revisions

SECTION SCHEDULE	
1	RAIL SECTION 120x80x40 RHS
2	POST SECTION 150x100x50 RHS
3	BASEPLATE SECTION 300x270x40
4	RAIL CLEAT TYPE 3 - 4mm FLAT
5	RAIL CLEAT TYPE 4 - 4mm FLAT

W/O No. DRAWING TO BE RETURNED TO DRAWING OFFICE ON COMPLETION OF WORK.

ENLARGED VIEW ON HOLDING DOWN BOLT. (IMPORTANT.)

ALL DIMENSIONS IN MM. VGSH 2000 PARAPET SYSTEMS ARE COVERED BY DESIGN RIGHTS AND PATENT PENDING.

Varley and Gulliver Ltd.
 Alfred Street, Sparkbrook, Birmingham B12 8JR
 Tel: 44 (0) 121 773 2441
 Fax: 44 (0) 121 766 6875
 Website: www.v-and-g.co.uk

TITLE: STANDARD ARRANGEMENT DRAWINGS OF VGSH 2000 SERIES STEEL PARAPET SYSTEM. VGSH 2001 and VGSH 2002.

DRAWING NUMBER: VGSH 2000 - 01.C.